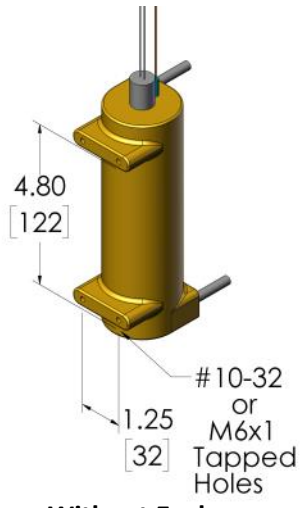
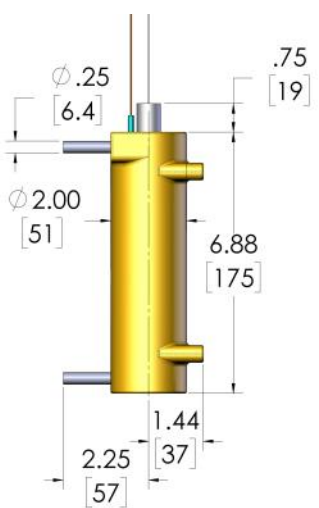
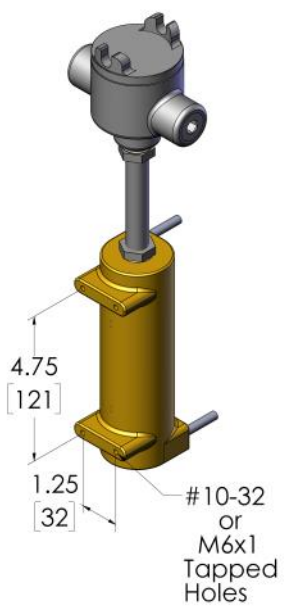
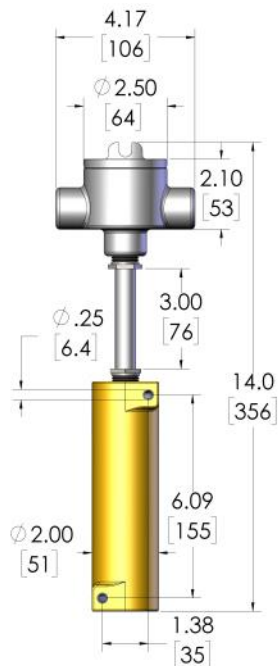


CAST-X High Temp 500 Circulation Heater



With Enclosure



Without Enclosure

SPECIFICATIONS:

Power:

- Up to 1500 W
- Voltage Range: 120 - 480 V

Tubing:

- .250" OD (1/4") (6.3 mm) .035" Wall (.88 mm)
- Overall Process Tube Length: 84" (213 cm)
- Inconel 600 material

Heater Body Material:

- Cast Bronze

Enclosures:

- Certified NEMA 3, 4, 7CD, 9EFG
 - Class 1, Div 1 & 2, Grp. B, C, D; (Explosionproof)
 - Class 2, Div 1, Grp. E, F, G; (Dust-Ignitionproof)
 - Class 2 Div 2, Grp. F, G; (Raintight)
 - Class 3 (Wet Locations)
- No Enclosure Option Also Available

Max Heater Operating Temperatures:

- No Enclosure: 1112°F (600°C)
- NEMA 7 Enclosure: 1112°F (600°C)

Temperature Sensors:

- K or J Type Thermocouple Available (Qty. 1)
- TC is integrated into heating element

Available Accessories:

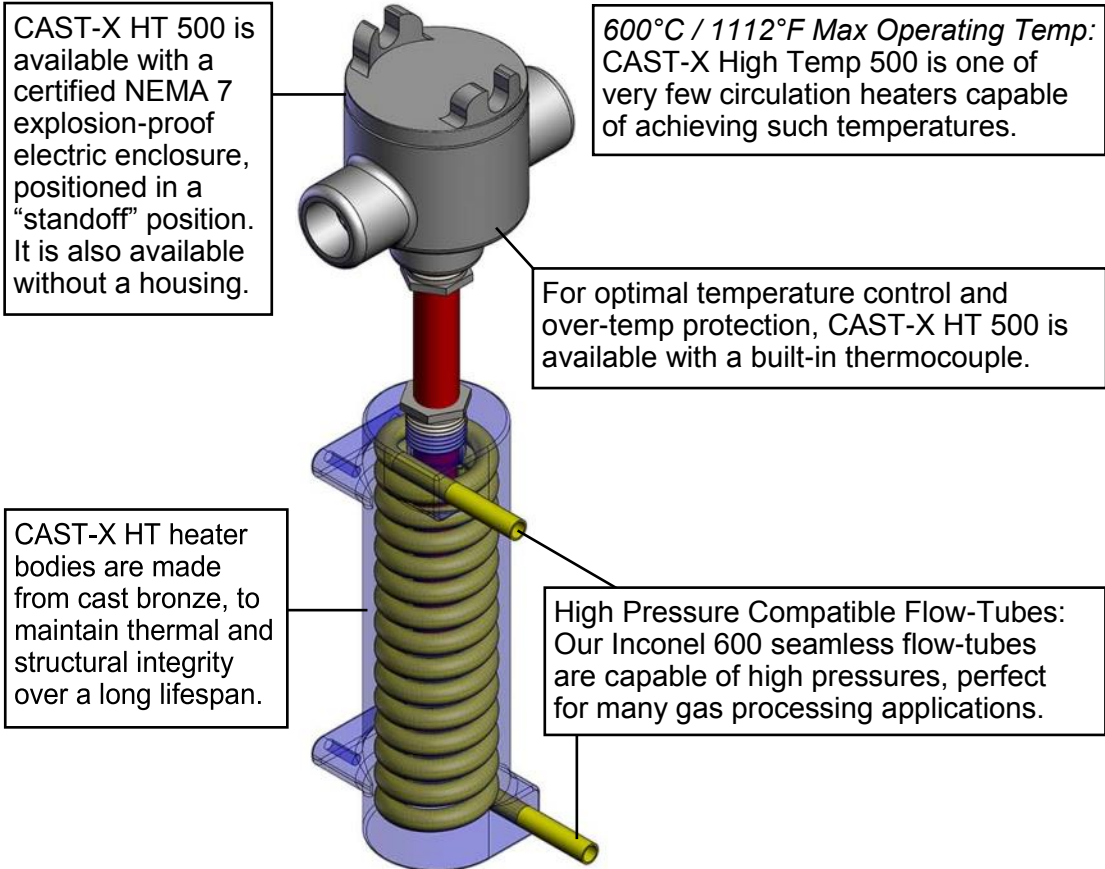
- Insulating Jacket: Part Number 307-0-27-1
Temp Rating: 1482°F (800°C)
- Compression Fittings: Part Number 274-55-6-1
High Pressure Pair (shipped loose), by Swagelok,
1/4" union compression fitting on each end.



**CAST-X High Temp 500
With Optional
Insulating Jacket**

CAST-X High Temp 500 Circulation Heater

Features and Benefits



Cast Aluminum Solutions. LLC
1310 Kingsland Drive
Batavia, IL 60510 - USA

Tel: 630-879-2696
Toll Free: 888-367-3992

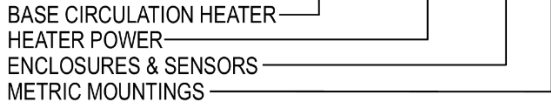
www.CastAluminumSolutions.com
Sales@CastAluminumSolutions.com



CAST ALUMINUM
Solutions

CAST-X High Temp 500 Circulation Heater

HT6E2A AAAA-BB-C



Electropolished Flow-Tubes = Add "EP" to end of Part Number

Passivated Flow-Tubes = Add "P" to end of Part Number

For both, add "EP-P"

Building a CAST-X 500 Part Number

Assigning numbers for sections AAAA and BB.

For metric mountings, assign "M" to section C.

If metric mounts are not needed, leave sec. C blank.

For assistance or special orders, contact CAS directly.

VOLTAGE, POWER, CIRCUIT TYPE				
<i>Volts refers to line volts (VL). Amps refers to line current (IL).</i>				
Section "AAAA"	Circuit Type (all are single circuit)	Volts (V)	Watts (W)	Amps (A)
300A	SINGLE PHASE	240	1200	5.0
		230	1100	4.8
		208	900	4.3
		120	300	2.5
300B	SINGLE PHASE	120	1500	12.5
300C	SINGLE PHASE	240	300	1.3
		230	275	1.2
		208	225	1.1
		120	75	0.6
300D	SINGLE PHASE	240	500	2.1
		230	460	2.0
		208	375	1.8
		120	125	1.0
300E	SINGLE PHASE	240	750	3.1
		230	690	3.0
		208	560	2.7
		120	185	1.6
300F	SINGLE PHASE	240	1000	4.2
		230	920	4.0
		208	750	3.6
		120	250	2.1
300G	SINGLE PHASE	240	1200 same as 300A	5.0
300H	SINGLE PHASE	240	1500	6.3
		230	1380	6.0
		208	1125	5.4
		120	375	3.1
300J	SINGLE PHASE	208	1125 Same as 300H	5.4
300K	SINGLE PHASE	208	900 Same as 300A	4.3
300L	SINGLE PHASE	208	750 Same as 300F	3.6
300M	SINGLE PHASE	208	565	2.7
		120	190	1.6
300N	SINGLE PHASE	120	1250	10.5
300P	SINGLE PHASE	380	1500	3.9
		240	600	2.5

ENCLOSURES AND TEMPERATURE SENSORS			
<i>All thermocouples are ungrounded, for optimal performance.</i>			
Section "BB"	Description	No. of Sensors	Enclosure
00	NO SENSOR	0	NO ENCLOSURE
0J	J-TYPE THERMOCOUPLE IN THERMOWELL	1	NO ENCLOSURE
0K	K-TYPE THERMOCOUPLE IN THERMOWELL	1	NO ENCLOSURE
E0	NO SENSOR	0	NEMA 7
EJ	J-TYPE THERMOCOUPLE IN CARTRIDGE HEATER	1	NEMA 7
EK	K-TYPE THERMOCOUPLE IN CARTRIDGE HEATER	1	NEMA 7

METRIC MOUNTING HOLES	
<i>Place an "M" in section D if metric mounting holes are required. If standard Imperial mounting holes are desired, sec. D can be left blank</i>	
Section "D"	Metric Mounting Holes
M	M6 X 1.00 METRIC TAPPED MOUNTING HOLES

VALUE ADDED OPTIONS FOR FLOW-TUBES	
<i>If you need electropolished or passivated flow-tubes, add these letters to the end of your part number. For both, indicate "EP-P"</i>	
PN Adder	Additional Service
P	PASSIVATION: TO CLEAN FLOW-TUBE ID (USES A DILUTED NITRIC ACID FLUSH)
EP	ELECTROPOLISHED TUBE ID: RA VALUE: 10 MICROINCHES (.254 MICROMETERS)

ACCESSORIES	
<i>These PNs are totally separate from the PNs for the heater</i>	
Part Number	Component
274-55-6-1	COMPRESSION FITTINGS (HIGH PRESSURE) / PAIR (SHIPPED LOOSE)
307-0-27-1	INSULATION JACKET, MAXIMUM TEMPERATURE 1472°F (800°C)

CUSTOM DESIGNS & COMPONENTS	
<i>For these options, please call a CAS Representative for a quote.</i>	
THICK WALL TUBES FOR HIGH PRESSURE APPLICATIONS	
SPECIAL TUBE FITTINGS	