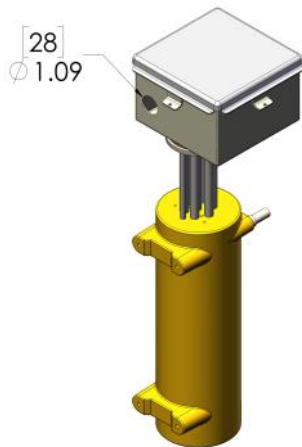
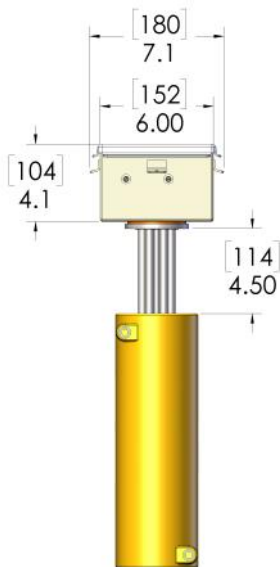
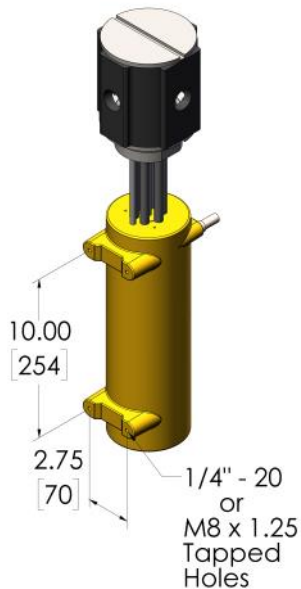
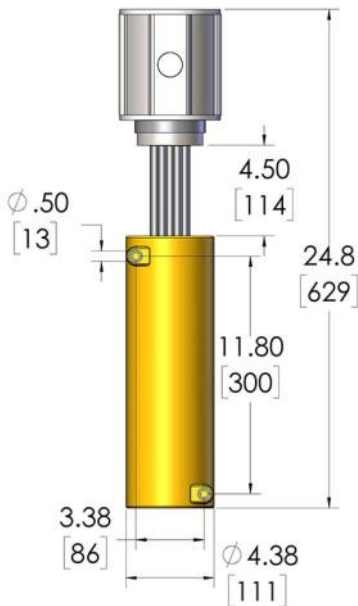


CAST-X High Temp 2000 Circulation Heater



**With NEMA 7
Explosion Proof Enclosure**



**With NEMA 4
Water Resistant Enclosure**

SPECIFICATIONS:

Power:

- 1 - 6 kW
- Voltage Range: 120 - 480 V

Tubing:

- .50" OD (1/2") (12.7 mm) .065" Wall (1.7 mm)
- Overall Process Tube Length: 150" (381 cm)
- Inconel 600 material

Heater Body Material:

- Cast Bronze

Enclosures:

- Certified Water-Resistant (NEMA 4)
NEMA/EEMAC Type 4, 12, 13
CSA, File No. 42184: Type 4, 12
IEC 60529, IP66
- Certified Explosion Proof
Class 1, Div. 1 & 2, Groups A, B, C, D
Class 2, Div. 1 & 2, Groups E, F, G
Class 3, Div. 1 & 2

Max Heater Operating Temperatures:

- With Water Resistant Enclosure: 1112°F (600°C)
- with Explosion Proof Enclosure: 1112°F (600°C)

Temperature Sensors:

- 2 Thermowells on Heater (room for 2 temp sensors)
- K or J Type Thermocouples
- RTDs, 100 ohm, 3 wires

Available Accessories:

- Insulating Jacket: Part Number 307-0-29-1
Temp Rating: 1482°F (800°C)
- Compression Fittings: Part Number 274-55-6-5
High Pressure Pair (shipped loose), by Swagelok,
1/2" union compression fitting on each end.



**CAST-X High Temp 2000
With Optional
Insulating Jacket**

CAST-X High Temp 2000 Circulation Heater

Features and Benefits

CAST-X HT 2000 is available with a NEMA 4 (moisture-resistant) housing (seen here) or a NEMA 7 (explosion-proof) enclosure. Both are mounted in "standoff" positions, away from the heater body's high temps.

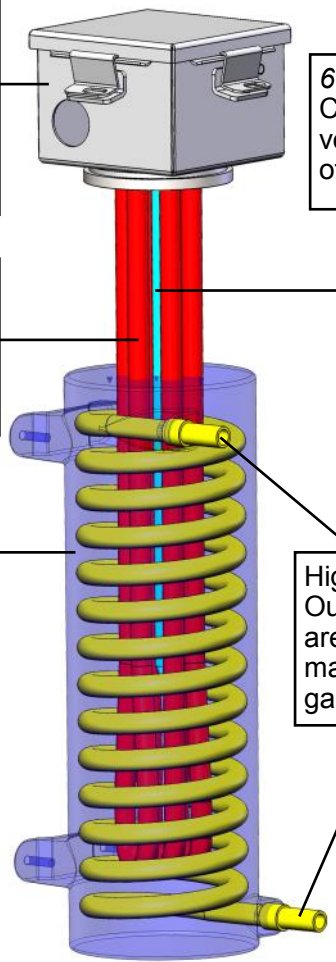
600°C / 1112°F Max Operating Temp: CAST-X High Temp 2000 is one of very few circulation heaters capable of achieving such temperatures.

The exposed portion of the heating element, standing above the body, is not heated, a key safety feature.

To facilitate proper temperature control and over-temp protection, CAST-X HT units are available with dual-sensor thermocouples. The TC is located in a thermowell deep within the heater body, for accurate operating temp readings.

CAST-X HT heater bodies are made from cast bronze, for thermal and structural integrity over a long lifespan.

High Pressure Compatible Flow-Tubes: Our seamless Inconel 600 flow-tubes are rated to very high pressures, making them compatible with industrial gas, LNG, and cryogenic applications.



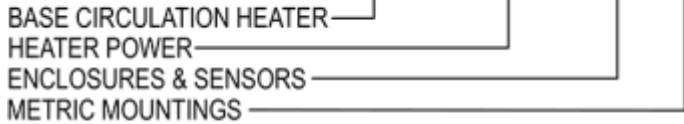
Cast Aluminum Solutions. LLC
1310 Kingsland Drive
Batavia, IL 60510 - USA

Tel: 630-879-2696
Toll Free: 888-367-3992

www.CastAluminumSolutions.com
Sales@CastAluminumSolutions.com



HT13J4G AAAA-BBB-C



Electropolished Flow-Tubes = Add "EP" to end of Part Number
 Passivated Flow-Tubes = Add "P" to end of Part Number
 For both, add "EP-P"

Building a CAST-X HIGH TEMP 2000 Part Number
 Use the graphs below to build your CAST-X HT 2000.
 Assigning numbers for sections AAAA and BBB.
 If you need metric mountings, assign "M" to section C.
 If metric mounts are not required, leave sec. C blank.
 For assistance or special orders, contact CAS directly.

VOLTAGE, POWER, CIRCUIT TYPE				
<i>Volts refers to line volts (VL). Amps refers to line current (IL).</i>				
Section "AAAA"	Circuit Type <small>(all are single circuit)</small>	Volts (V)	Watts (kW)	Amps (A)
30SA	THREE PHASE DELTA	480	6.0	7.2
		440	5.0	6.6
		415	4.5	6.3
		400	4.2	6.0
		380	3.8	5.7
		240	1.5	3.6
		230	1.4	3.5
		220	1.3	3.3
		208	1.1	3.1
30SB	THREE PHASE WYE	575	2.9	2.9
		480	2.0	2.4
		415	1.5	2.1
		400	1.4	2.0
		380	1.2	1.9
		240	0.5	1.2
		230	0.4	1.2
		220	0.4	1.1
		208	0.3	1.1
30SC	SINGLE PHASE	480	6.0	12.5
		415	4.5	10.8
		400	4.2	10.4
		380	3.8	9.9
		347	3.1	9
		240	1.5	6.3
		230	1.4	6.0
		220	1.2	5.7
		208	1.1	5.4
30SD	SINGLE PHASE	120	0.4	3.1
		480	4.0	8.3
		415	3.0	7.2
		400	2.8	6.9
		380	2.5	6.6
		347	2.1	6.0
		240	1.0	4.2
		230	0.9	4.0
		220	0.8	3.8
30SE	SINGLE PHASE	208	0.7	3.6
		120	0.3	2.1
		480	2.0	4.2
		415	1.5	3.6
		400	1.4	3.5
		380	1.2	2.3
		347	1.0	3.0
		240	0.5	2.1
		230	0.4	2.0
220	0.4	1.9		
208	0.3	1.8		
		120	0.1	1.0

30SF	THREE PHASE DELTA	240	6.0	14.5
		230	5.5	13.8
		220	5.0	13.2
		208	4.5	12.5
30SG	THREE PHASE WYE	415	6.0	8.3
		400	5.5	8.0
		380	5.0	7.6
		240	2.0	4.8
30SH	SINGLE PHASE	208	1.5	4.2
		240	6.0	25
		230	5.5	24
		220	5.0	22.9
30SJ	SINGLE PHASE	208	4.5	21.7
		120	1.5	12.5
		240	4.0	16.7
		230	3.7	16
30SK	SINGLE PHASE	220	3.4	15.3
		208	3.0	14.4
		120	1.0	8.3
		240	2.0	8.3
30SL	SINGLE PHASE	230	1.8	8.0
		220	1.7	7.6
		208	1.5	7.2
		120	0.5	4.2
30SM	SINGLE PHASE	240	1.5	6.3
30SN	SINGLE PHASE	240	Same as 300C	
30SP	SINGLE PHASE	120	1.0	4.2
30SQ	SINGLE PHASE	120	Same as 300D	
30SR	SINGLE PHASE	120	1.5	12.5
30SS	SINGLE PHASE	120	Same as 300H	
30ST	SINGLE PHASE	120	1.0	8.3
30SU	SINGLE PHASE	120	Same as 300J	
30SV	THREE PHASE DELTA	208	4.5	12.5
		208	Same as 300F	
30SW	THREE PHASE WYE	208	1.5	4.2
		208	Same As 300G	
30SX	THREE PHASE DELTA	208	4.5	21.7
		208	Same as 300H	
30SY	SINGLE PHASE	208	3.0	14.4
		208	Same as 300J	
30SZ	SINGLE PHASE	208	1.5	7.2
		208	Same as 300K	
30TA	THREE PHASE DELTA	208	6.0	16.7
		120	2.0	9.6
30TB	THREE PHASE WYE	380	6.6	10.1
		208	2.0	5.6
30TC	THREE PHASE DELTA	208	3.0	8.3
		120	1.0	4.8
30TD	SINGLE PHASE	208	6.0	28.8
		120	2.0	16.6

ENCLOSURES AND TEMPERATURE SENSORS			
<i>All thermocouples are ungrounded, for optimal performance</i>			
Section "BBB"	Description	No. of Sensors	Enclosure
W00	NO SENSOR	0	NEMA 4
W0J	J-TYPE THERMOCOUPLE IN THERMOWELL	1	NEMA 4
W0K	K-TYPE THERMOCOUPLE IN THERMOWELL	1	NEMA 4
W0R	RTD, SINGLE, 3 WIRE, 100 OHMS	1	NEMA 4
WJJ	J-TYPE THERMOCOUPLES IN THERMOWELLS	2	NEMA 4
WKK	K-TYPE THERMOCOUPLES IN THERMOWELLS	2	NEMA 4
WRR	RTDs, EACH IS 3 WIRE, 100 OHMS	2	NEMA 4
E00	NO SENSOR	0	NEMA 7
E0J	J-TYPE THERMOCOUPLE IN THERMOWELL	1	NEMA 7
E0K	K-TYPE THERMOCOUPLE IN THERMOWELL	1	NEMA 7
E0R	RTD, SINGLE, 3 WIRE, 100 OHMS	1	NEMA 7
EJJ	J-TYPE THERMOCOUPLES IN THERMOWELLS	2	NEMA 7
EKK	K-TYPE THERMOCOUPLES IN THERMOWELLS	2	NEMA 7
ERR	RTDs, EACH IS 3 WIRE, 100 OHMS	2	NEMA 7

METRIC MOUNTING HOLES	
<i>Place an "M" In section D if metric mounting holes are required. If standard Imperial mounting holes are desired, section D can be left blank</i>	
Section "D"	Metric Mounting Holes
M	M8 X 1.25 METRIC TAPPED MOUNTING HOLES

ACCESSORIES	
<i>These PNs are totally separate from the PNs for the heater.</i>	
Part Number	Component
274-55-6-5	COMPRESSION FITTINGS (HIGH PRESSURE) / PAIR (SHIPPED LOOSE)
307-0-29-1	INSULATION JACKET, MAXIMUM TEMPERATURE 1472°F (800°C)

VALUE ADDED OPTIONS FOR FLOW-TUBES	
<i>If you need electropolished or passivated flow-tubes, add these letters to the end of your part number. For both, indicate "EP-P"</i>	
PN Adder	Additional Service
P	PASSIVATION: TO CLEAN FLOW-TUBE ID (USES A DILUTED NITRIC ACID FLUSH)
EP	ELECTROPOLISHED TUBE ID: RA VALUE: 10 MICROINCHES (.254 MICROMETERS)

CUSTOM DESIGNS & COMPONENTS	
<i>For these options, please call a CAS Representative for a quote.</i>	
THICK WALL TUBES FOR HIGH PRESSURE APPLICATIONS	
SPECIAL TUBE FITTINGS	