



international polymer solutions

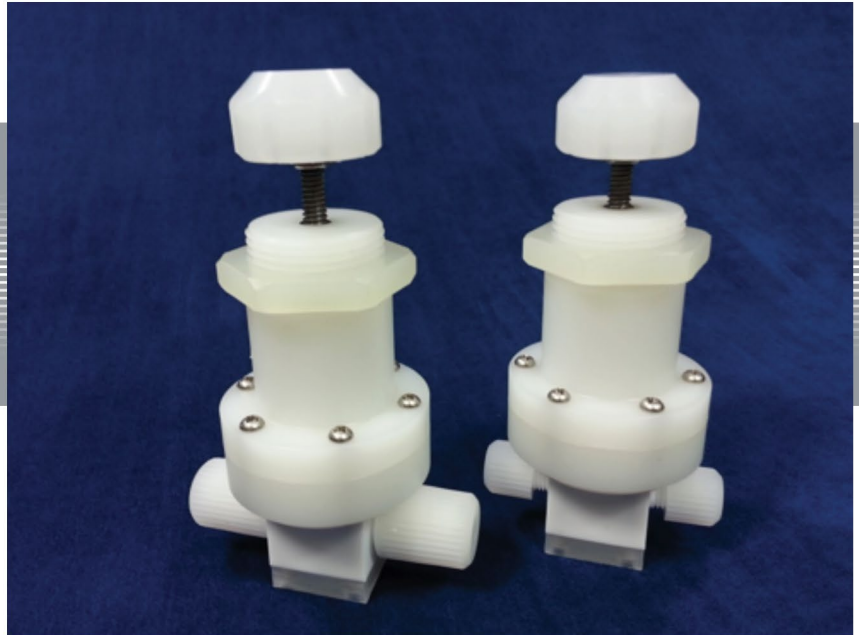
PTFE PRESSURE REGULATOR

Our **IPS PTFE Pressure Regulator** is designed for use in high purity water and aggressive chemicals applications.

Designed with a 100% virgin PTFE wetted flow path, the unit is ideal for DI Water Systems and corrosive media found in solar, semiconductor, pharmaceutical and chemical process applications.

All configurations are fitted for Panel Mounting with easy-to-grip Adjustment Knob.

The Teflon coated stainless steel adjustment screw is configured for low torque reliable manual operation.

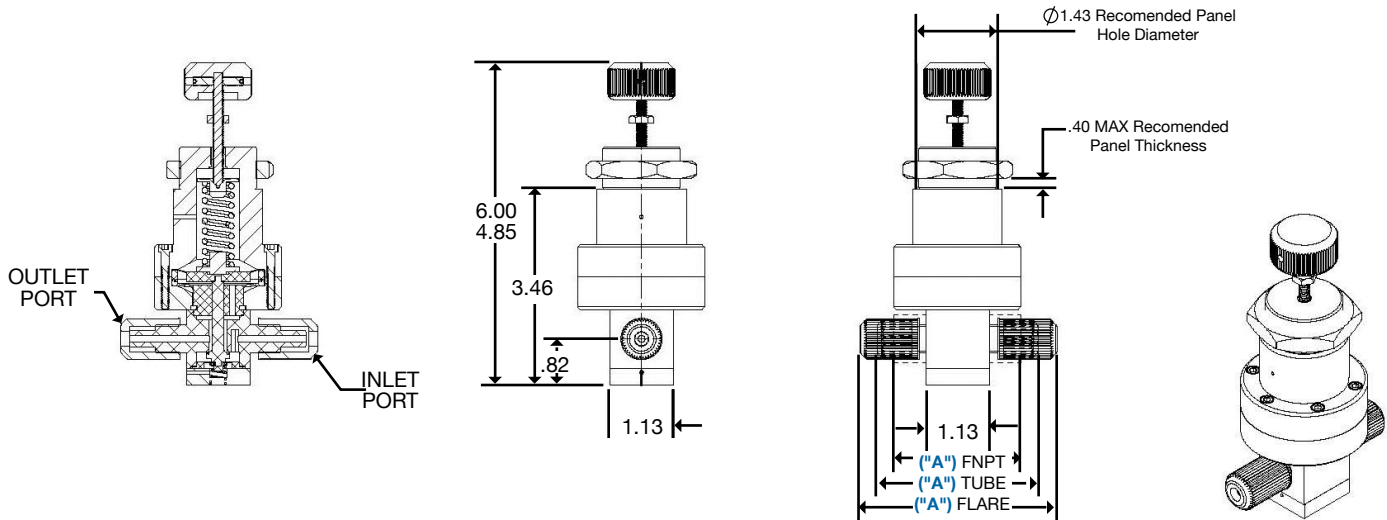


Other sizes and configurations are available on request.

Specification:

Materials of Construction:	Temperature Ranges:
<ul style="list-style-type: none"> Wetted Surfaces: Machined 100% Virgin PTFE & TFM Non Wetted Materials: PVDF, Brass, Polypro, SS Regulating Springs: Coated Steel 	<ul style="list-style-type: none"> 32°F - 140°F (0°C - 60°C) Ambient 32°F - 266°F (0°C - 130°C) Media
Pressure Ranges:	
<ul style="list-style-type: none"> Maximum Inlet Pressure: 90 psi. Two factory set pressure regulating options: LO = 0 to 40 psi and HI = 30 to 60 psi. Referenced pressure ranges are listed for normal media temperature conditions. Consult factory for pressure ranges when operating with media temperatures greater than 160°F. 	





PTFE Pressure Regulator: ORDERING FORMAT

PRG - 2 2 - P - HI

LO = Represents the factory set low pressure range of 0 psi to 40 psi.
HI = Represents the factory set high pressure range of 30 psi to 60 psi.

PORT SIZE & ORIFICE SIZE			PORT TYPE		"A" Dim
Callout	Port Size	Orifice Size	Callout	Port Type	Ref Inches
21	2 = (1/8")	1 = (1/16")	T	TUBE	2.85
43	4 = (1/4")	3 = (3/16")	T	TUBE	2.85
65	6 = (3/8")	5 = (5/16")	T	TUBE	2.95
22	2 = (1/8")	2 = (1/8")	P	FNPT	1.85
44	4 = (1/4")	4 = (1/4")	P	FNPT	2.25
64	6 = (3/8")	4 = (1/4")	P	FNPT	2.25
42	4 = (1/4")	2 = (1/8")	F	FLARE	3.45
64	6 = (3/8")	4 = (1/4")	F	FLARE	3.45

Turn the Adjustment Knob clockwise to increase the regulator outlet pressure.

Turn the Adjustment Knob counter-clockwise to decrease the regulator outlet pressure.

Do not over torque the Adjustment Knob against the travel stop.

IPS Product Notes:

1. Please email Customer Service at info@ipolymer.com
2. Call us for special applications. We can manufacture our regulators with special mounting and interface dimensions.
3. Upon request, alternate material selection from those listed will allow for expanding temperature ratings or other performance characteristics.
4. Unauthorized disassembly of this product will void the original factory one-year product warranty. For further details please contact your local Distributor or our factory directly.

141009

international polymer solutions inc. • manufacturer of high purity fluid handling products
5 Studebaker • Irvine, CA 92618 • t: 949.458.3731 • f: 949.458.2787