

TYPE MUH UNIT HEATER



FILE #E21609

- Unit mounts either horizontally or vertically. Totally versatile. For factories, warehouses, garages, stores, shipping rooms, power stations. Can be used for primary, supplementary, spot, or dual-system heating.
- Wide range of optional control kits are field installable, increasing the MUH adaptability to the specification market.
- Forced air unit heater with 10 power ratings; from 3KW to 50 KW heating output; 208, 240, 277 and 480V, 10,230 to 170,500 BTU/hr.
- 32 compatible models (no need to try to assemble a heating system from 70 or 80 models!)
- Heavy gauge die-formed steel housing. Two-toned, smartly styled with stainless steel louvers.
- Advanced pull-through air flow design draws air across heating element for more even air distribution and cooler operation.
- Specially designed venturi outlet to meet that added throw as required in vertical position.
- Branch circuit fusing (when required).
- Completely enclosed fan motor.
- 1- or 3-phase wiring on 5 through 10 KW 208/240V and 15 KW 208V units (field interchangeable).
- Aluminum-finned, copper clad steel sheath heating element has longer useful life, because of cooler sheath temperature and faster heat dissipation.
- 24V control transformer standard on most models, providing a safer and more accurate means of temperature control. 3KW and 5KW, 208-277V, have line voltage controls as standard (24V control available on made-to-order basis).
- Automatic reset linear thermal cut-out, capillary type, provides protection over entire length of element areas (Manual reset protection available on made-to-order basis).
- 2-speed fan selector switch (25 to 50 KW models).
- Fan delay feature eliminates cold drafts. Element heats up before fan cuts in, then fan continues to distribute heat after element shuts off.
- Ruggedly built, yet lighter weight for easier installation. No piping flues, valves, or traps.
- Individually adjustable discharge louvers to control air flow.
- Choice of optional diffusers for variety of air patterns, maximizing heat concentration and coverage in the vertical position.
- Meets all UL, NEC, and OSHA requirements.



SELECTION CHART

CAT. NO.	VOLTS	ELECTRICAL DATA				CONTROL VOLT (1)	2 STAGE ELEMENT CONTROL	AIR DELIVERY DATA			FAN MOTOR DATA			MAXIMUM EFFECTIVE MOUNTING HEIGHT		HORI. AIR THROW	WIRE SIZE	INSTALLED WEIGHT (LBS.) (WBRACK.)
		PHASE	KW	BTU/HR. 1000'	AMPS (3)			CFM(2)	FPM(2)	ΔT(°F)	VOLTS	RPM(2)	HP	HORIZ.	VERT.			
MUH0381	208	1Ø	3.0	10.2	14.5	208	N/A	350	800	27°	208	1600	1/100	8	9	12	AWG 12	27
MUH0321	208/240	1Ø	2.2/3.0	7.5/10.2	11.0/12.5	208/240	N/A	350	800	27°	208/240	1600	1/100	8	9	12	AWG 12	27
MUH0371	277	1Ø	3.0	10.2	11.0	277	N/A	350	800	27°	277	1600	1/100	8	9	12	AWG 14	27
MUH0331	347	1Ø	3.0	10.2	8.6	24	N/A	350	800	27°	347	1600	1/100	8	9	12	AWG 14	27
MUH0341	480	3Ø	3.0	10.2	3.6	24	N/A	350	800	27°	480	1600	1/100	8	9	12	AWG 14	27
MUH0361	600	3Ø	3.0	10.2	2.9	24	N/A	350	800	27°	600	1600	1/100	8	9	12	AWG 14	27
MUH0581	208	1-3Ø	5.0	17.0	24.0	208	5A	350	800	45°	208	1600	1/100	8	9	12	AWG 10	27
MUH0521	208/240	1-3Ø	3.75/5.0	12.6/17.0	18.0/21.0	208/240	5A	350	800	45°	208/240	1600	1/100	8	9	12	AWG 10	27
MUH0571	277	1Ø	5.0	17.0	18.0	277	N/A	350	800	45°	277	1600	1/100	8	9	12	AWG 10	27
MUH0531	347	1Ø	5.0	17.0	14.4	24	N/A	350	800	45°	347	1600	1/100	8	9	12	AWG 10	27
MUH0541	480	3Ø	5.0	17.0	6.0	24	N/A	350	800	45°	480	1600	1/100	8	9	12	AWG 14	27
MUH0561	600	3Ø	5.0	17.0	4.8	24	N/A	350	800	45°	600	1600	1/100	8	9	12	AWG 10	27
MUH078	208	1-3Ø	7.5	25.6	36.0	24	5B	650	970	37°	208	1600	1/30	9	14	18	AWG 6	38
MUH072	208/240	1-3Ø	5.6/7.5	19.1/25.6	27.0/31.3	24	5B	650	970	37°	208/240	1600	1/30	9	14	18	AWG 8	38
MUH077	277	1Ø	7.5	25.6	27.0	24	5B	650	970	37°	277	1600	1/30	9	14	18	AWG 8	38
MUH073	347	1Ø	7.5	25.6	21.6	24	5B	650	970	37°	347	1600	1/30	9	14	18	AWG 14	38
MUH074	480	3Ø	7.5	25.6	9.0	24	5B	650	970	37°	480	1600	1/30	9	14	18	AWG 14	38
MUH076	600	3Ø	7.5	25.6	7.3	24	5B	650	970	37°	600	1600	1/30	9	14	18	AWG 14	38
MUH108	208	1-3Ø	10.0	34.1	48.0	24	5B	650	970	49°	208	1600	1/30	9	14	18	AWG 4	38
MUH102	208/240	1-3Ø	7.5/10.0	25.6/34.1	36.0/42.0	24	5B	650	970	49°	208/240	1600	1/30	9	14	18	AWG 6	38
MUH107	277	1Ø	10.0	34.1	36.0	24	5B	650	970	49°	277	1600	1/30	9	14	18	AWG 6	38
MUH103	347	1Ø	10.0	34.1	28.8	24	5B	650	970	49°	347	1600	1/30	9	14	18	AWG 14	38
MUH104	480	3Ø	10.0	34.1	12.0	24	5B	650	970	49°	480	1600	1/30	9	14	18	AWG 14	38
MUH106	600	3Ø	10.0	34.1	9.7	24	5B	650	970	49°	600	1600	1/30	9	14	18	AWG 14	38
MUH158	208	1-3Ø	15.0	51.2	72.0	24	5A	910	1640	52°	208	1530	1/20	11	20	35	AWG 2	53
MUH152	208/240	3Ø	11.2/15.0	38.2/51.2	31.3/36.1	24	5C	910	1640	52°	208/240	1530	1/20	11	20	35	AWG 6	53
MUH154	480	3Ø	15.0	51.2	18.0	24	5C	910	1640	52°	480	1530	1/20	11	20	35	AWG 10	53
MUH156	600	3Ø	15.0	51.2	14.5	24	5C	910	1640	52°	600	1530	1/20	11	20	35	AWG 12	53
MUH208	208	3Ø	20.0	68.2	56.0	24	5A	1320	2060	48°	208	1500	1/10	12	23	41	AWG 4	60
MUH202	208/240	3Ø	15.0/20.0	51.2/68.2	41.2/48.0	24	5C	1320	2060	48°	208/240	1500	1/10	12	23	41	AWG 4	60
MUH204	480	3Ø	20.0	68.2	24.0	24	5C	1320	2060	48°	480	1500	1/10	12	23	41	AWG 10	60
MUH206	600	3Ø	20.0	68.2	19.3	24	5C	1320	2060	48°	600	1500	1/10	12	23	41	AWG 12	60
MUH252	208/240	3Ø	18.7/25.0	63.8/85.2	52.0/60.0	24	5A	2100/1800	2100/2030	38°/44°	208/240	1600/1375	1/4	13	23	50	AWG 3	93
MUH254	480	3Ø	25.0	85.2	30.0	24	5C	2100/1800	2100/2030	38°/44°	480	1600/1375	1/4	13	23	50	AWG 8	93
MUH256	600	3Ø	25.0	85.2	24.2	24	5C	2100/1800	2100/2030	38°/44°	600	1600/1375	1/4	13	23	50	AWG 10	93
MUH308	208	3Ø	30.0	102.3	84.0	24	5A	2100/1800	2100/2030	45°/53°	208	1600/1375	1/4	12	20	50	AWG 1	93
MUH302	208/240	3Ø	22.5/30.0	76.7/102.3	63.0/72.3	24	5A	2100/1800	2100/2030	45°/53°	208/240	1600/1375	1/4	12	20	50	AWG 2	93
MUH304	480	3Ø	30.0	102.3	36.0	24	5C	2100/1800	2100/2030	45°/53°	480	1600/1375	1/4	12	20	50	AWG 6	93
MUH306	600	3Ø	30.0	102.3	29.0	24	5C	2100/1800	2100/2030	45°/53°	600	1600/1375	1/4	12	20	50	AWG 8	93
MUH402	208/240	3Ø	30.0/40.0	102.3/136.4	83.4/96.4	24	5A	3000/2600	3260/2900	42°/49°	208/240	1525/1420	1/2	15	28	60	AWG 1/0	114
MUH404	480	3Ø	40.0	136.4	48.0	24	5A	3000/2600	3260/2900	42°/49°	480	1525/1420	1/2	15	28	60	AWG 4	114
MUH406	600	3Ø	40.0	136.4	38.7	24	5A	3000/2600	3260/2900	42°/49°	600	1525/1420	1/2	15	28	60	AWG 6	114
MUH508	208	3Ø	50.0	170.5	139.0	24	5A	3000/2600	3260/2900	53°/61°	208	1525/1420	1/2	15	25	60	AWG 4/0	114
MUH502	208/240	3Ø	37.5/50.0	127.3/170.5	104.2/120.4	24	5A	3000/2600	3260/2900	53°/61°	208/240	1525/1420	1/2	15	25	60	AWG 3/0	114
MUH504	480	3Ø	50.0	170.5	60.2	24	5A	3000/2600	3260/2900	53°/61°	480	1525/1420	1/2	15	25	60	AWG 4	114
MUH506	600	3Ø	50.0	170.5	48.3	24	5A	3000/2600	3260/2900	53°/61°	600	1525/1420	1/2	15	25	60	AWG 3	114

Note:

1. All standard units are supplied with a low voltage control transformer and contactor (24V) except MUH03 & 05, 208, 240 & 277 volt models. Low voltage control on these units are available on made to order. All units are also available on special order for 120 volt control; internal and transformer or external without transformer.
 2. On dual voltage units; CFM, FPM, and RPM are shown at higher voltage.
 3. On dual phase units, maximum amp draw is listed for respective voltage.
 4. 25 thru 50 KW models have two speed motors and dual CFM ratings.
- 5A. Standard.
5B. Optional - made to order - amp load unbalanced on 3 Phase.
5C. Optional - made to order - amp load balanced on 3 Phase.

ACCESSORIES

CATALOG #	DESCRIPTION	ELECTRICAL RATING	USE WITH HEATER NO.
UHMT1	Single Pole Internal Thermostat Temp. Range: 40°F - 85°F	25A; 120, 240V. A.C. Res. 22A; 277V.A.C. Res.	All MUH Series Heaters (except MUH05-21 3Ø and mUH025-81 3Ø, which use MT-2).
UHMT2	Two Stage Internal Thermostat Temp. Range: 40°F - 85°F	25A; 120, 240V. A.C. Res. 22A; 277V.A.C. Res. 125V.A; Pilot Duty	MUH05-21 3Ø, MUH05-81 3Ø, MUH-15-8, MUH-20-8, MUH-25-2, MUH-30-2, MUH-30-8, MUH-40-2, MUH-50-2, MUH-50-4, MUH-50-8
MCFS	Internal Summer Fan Switch	6A; 600V.A.C. Res. 2 HP; 250, 480, 600V.A.C. 1, 2, or 3Ø	All MUH Series Heaters
MRFS1	Remote Summer Fan Switch (Line Voltage)	2 HP; 250-480V.A.C.	All MUH Series Heaters
MRFS2	Remote Summer Fan Switch with Relay (24V Coil-Single Pole Normally Open)	6 AFL, 35 ALR, 250V.A.C. 60 Hz 3 AFL, 18 ALR, 480V.A.C. 60 Hz	All MUH Series Heaters (except MUH03-21, MUH03-71, MUH03-81, MUH05-21, MUH05-71, MUH05-81 Units, unless optional control transformer is supplied.
MHRT	Heat Recovery Thermostat with Relay (24V Coil-Single Pole Normally Open) Hi — 120°F; Low — 60°F	6 AFL, 35 ALR, 250V.A.C. 60 Hz 3 AFL, 18 ALR, 480V.A.C. 60 Hz	All MUH Series Heaters (except MUH03-21, MUH03-71, MUH03-81, MUH05-21, MUH05-71, MUH05-81 Units, unless optional control transformer is supplied.
MPDS25	Power Disconnect Switch (3 Pole)	25A, 600V.A.C. Res.	MUH0321, MUH0341, MUH0371, MUH0381, MUH0521, MUH0541, MUH0571, MUH0581, MUH073, MUH074, MUH076, MUH104, MUH106, MUH154, MUH156, MUH204, MUH206
MPDS60	Power Disconnect Switch (3 Pole)	63A, 600V.A.C. Res.	MUH072, MUH077, MUH078, MUH102, MUH103, MUH107, MUH108, MUH152, MUH202, MUH208, MUH252, MUH254, MUH256, MUH304, MUH306, MUH404, MUH406, MUH504, MUH506

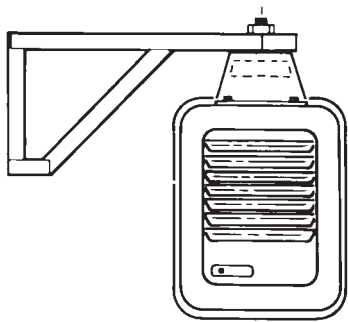
MPDS60 disconnect switch is not suitable for field installation on 7.5kw and 10kw unit heaters

UNIVERSAL WALL & CEILING BRACKET

CATALOG NO.	USED ON
B10	MUH-03, 05, 07 & 10
B20	MUH-15 & 20
B30	MUH-25 & 30
B50	MUH-40 & 50

CEILING BRACKET

CATALOG NO.	USED ON
CMB10	MUH-03, 05, 07 & 10
CMB20	MUH-15 & 20
CMB30	MUH-25 & 30
CMB50	MUH-40 & 50

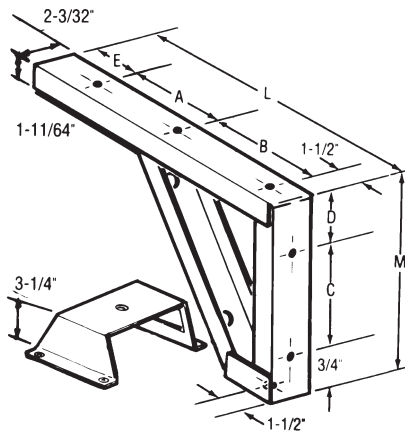


BRACKET SIZE

DIMENSION	3 - 20Kw	25 - 50Kw
A	7 1/4"	9 7/16"
B	9 1/2"	14 3/8"
C	7 1/4"	12 1/8"
D	1 15/16"	2 1/16"
E	2 1/4"	3"
L	20 1/2"	28 15/16"
M	9 15/16"	14 15/16"
N	3 1/4"	4 1/2"

OPTIONAL VERTICAL CEILING MOUNTING BRACKET

CATALOG NUMBER	USED ON	STANDARD CARTON QTY.	WT. LBS.
VDMB5	MUH03-05	1	5
VDMB20	MUH07-20	1	7
VDMB50	MUH25-50	1	9



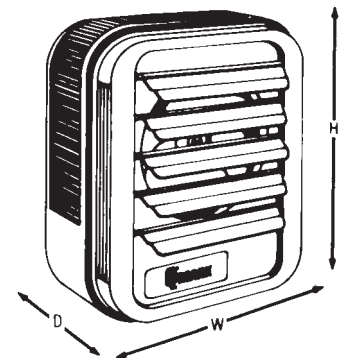
OPTIONAL BUILT-IN CONTROLS AND ACCESSORIES ON MUH HEATERS

FACTORY INSTALLED ONLY††	DESCRIPTION
	MUH-03 & 05 (208, 208/240, 277V Supply) 24 or 120V Control Transformer and Power Contactor 24 or 120V H.C. Power Contactor
	MUH-03 & 05 (480V Supply) & MUH-07 thru MUH-50, Optional 120V Control
	2-Stage Control of Elements (See Note 5)
	Manual Reset.
	Outlet Mesh (Bird Screen) For all MUH Heaters

††Optional built-in controls and accessories factory installed only - Not to be field installed

DIMENSIONS

CAT. NO.	HEIGHT	WIDTH	DEPTH
MUH03 & 05	16"	14"	7 1/2"
MUH07 & 10	21 3/4"	19"	7 1/2"
MUH15 & 20	21 3/4"	19"	12 3/4"
MUH25 & 30	30"	26 5/8"	11 3/4"
MUH40 & 50	30"	26 5/8"	17 1/8"



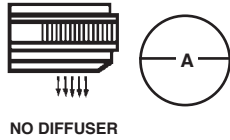
MOUNTING LIMITATIONS

Unit heaters should not be used in potentially explosive atmospheres. The finish is not intended for direct salt spray exposure in marine applications or the highly corrosive atmospheres of swimming pools, chemical storage bins, etc. Do not install unit heaters above recommended maximum mounting height. Obstructions must not block unit heater air inlet or discharge. Heaters must be mounted at least 7' above the floor to prevent accidental contact with the heating element or fan blade which could cause injury.

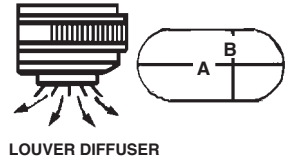
DIFFUSER SELECTOR TABLES FOR VERTICAL MOUNTING

DIFFUSER	HEATER KW	MAX MNT. HT.	A DIM
NONE	3 & 5	9	18
NONE	7.5 & 10	14	26
NONE	15	20	35
NONE	20	23	40
NONE	25	23	63
NONE	30	20	55
NONE	40	28	70
NONE	50	25	63

DIFFUSER PATTERN AND AREA



DIFFUSER CAT. NO.	USED ON HEATER KW	MAX. MNT. HT.	A DIM	B DIM
MLDS	3 & 5	9	25	12
MLDM	7.5 & 10	14	39	19
MLDM	15	18	50	25
MLDM	20	20	56	28
MLDL	25	23	68	32
MLDL	30	20	72	36
MLDL	40	24	88	44
MLDL	50	22	80	40



A Marley Engineered Products Brand

470 Beauty Spot Road East
Bennettsville, SC 29512