

How to Select and Specify

Not all optional features are appropriate or available for all valves. Table 1 lists the optional electrical feature prefixes available for each RedHat II solenoid and coil. Specify these features by adding the indicated prefixes to the valve catalog number.

For those prefixes marked with a “●” or for optional RedHat electrical features not covered here, contact your local sales office.

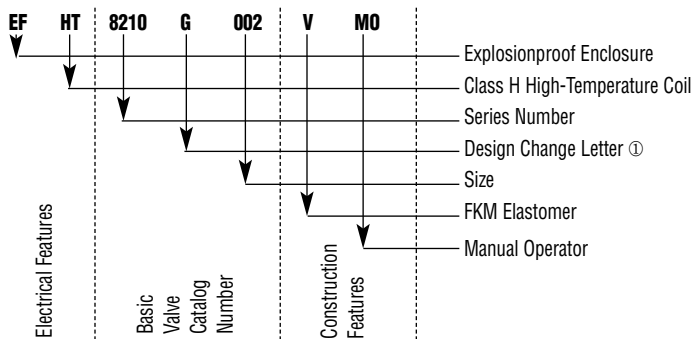
Table 2 lists the suffixes for optional construction features available for each valve Series. Specify these features by adding the indicated suffixes to the valve catalog number.

Table 2: Suffixes for Optional Construction Features

SUFFIX I		SUFFIX II		SUFFIX III	
Code	Seat/Disc/Etc. Material	Code	Form of Flow	Code	Feature
E	EPDM (Ethylene Propylene)	F ①	Normally Closed	HW ①	Hot Water Construction
J	CR (Chloroprene, Neoprene)	G ①	Normally Open	LT ①	Low Temperature
K ①	Air Operated, 3-30 psi	U ①	Universal	M	Metering Device
N	Oxygen			MB ①	Mounting Bracket
Q ①	Long-Life Construction			MO	Manual Operator
R ①	Resilient			MS	Screw Type Manual Operator
T	PTFE			VH ①	High Vacuum
V	FKM			VM ①	Medium Vacuum

① Covered on the pages of the Series in which it is used.

An example of an ASCO valve catalog number with prefixes and suffixes:



① The Design Change Letter indicates a major design change affecting spare parts kits, rebuild kits, and coils. The correct replacement parts for each change letter are shown in ASCO's Rebuild Kits and Coils Catalog.

Table 1: Optional RedHat II Electrical Feature Prefixes (For RedHat optional electrical features, contact your local sales office.)

Code	Solenoid
EF	Class I, Division 1 Explosionproof
EV	Class I, Division 1 Explosionproof with 316 Stainless Steel Hub and Stainless Steel Base Plate
EE	Class I, Division 2 General Purpose
GP	Panel Mount Type 1 General Purpose Solenoid
J	Junction Box
JP	Panel Mount Junction Box
OF	Open Frame Spade and Screw Terminal Solenoids
OP	Panel Mount Spade, Screw and DIN Terminal Solenoids
CGEVL	Class I, Div. 1 Explosionproof with Stainless Steel Cable Gland
PGEVL	Class I, Div. 2 Explosionproof with Plastic Cable Gland
Code	Coil
HB	Class H - Intermediate Power
● HC	Class H - Battery Charging Coil
HT	Class H - High Temperature
KB	Class H - Intermediate Power - Screw Terminals
● KC	Class H - Battery Charging Circuit - Screw Terminals
KF	Class F - High Temperature - Screw Terminals
KH	Class H - High Temperature - Screw Terminals
KP	Class F - Intermediate Power - Screw Terminals
SC	Class F - High Temperature - DIN Connection
SD	Class F - Intermediate Power - DIN Connection
SF	Class F - High Temperature - Spade Terminals
SP	Class F - Intermediate Power - Spade Terminals
SS	Class H - Intermediate Power - Spade Terminals
ST	Class H - High Temperature - Spade Terminals
SU	Class H - High Temperature - DIN Connection
SV	Class H - Intermediate Power - DIN Connection
● SW	Class H - Battery Charging Circuit - Spade Terminals
VT	Class F - High Temperature - Micro 4 Pin Connector
VB	Class F - Intermediate Power - Micro 4 Pin Connector
ZT	Class F - High Temperature - Mini 3 Pin Connector
ZB	Class F - Intermediate Power - Mini 3 Pin Connector
Code	Feature
● L	72" continuous leads
● X	Other special constructions

Note: See chart on next page for specific power and temperature ratings.



www.valin.com | (855) 737-4716 | AutomationCustomerSupport@valin.com

Optional Electrical Features

Most optional electrical features shown here can be included on ASCO valves approved by UL, FM, and CSA.

Identify the options you want by adding the appropriate prefix to the catalog number of the valve you are specifying.

To determine the proper prefix, use the Valve Series Specification Table for the valve you are ordering to determine its watt rating/class of coil insulation.

RedHat II Solenoid Options

Using Table 3, find the desired solenoid option in the left column and the watt rating/class of coil insulation in the next column. The choice of prefixes is shown in the next two columns on that line. The first column indicates the prefix if Class F temperature protection is sufficient for your requirements. The second column provides the desired solenoid option, plus the higher temperature protection of a Class H coil.

For example, to select an 8262H002 valve with a Class H Open Frame Spade Terminal Solenoid, assuming the voltage to be 120 volts AC, 60 Hz:




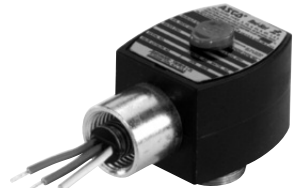
- In the Specification Table for Series 8262, the Watt Rating/Class of Coil Insulation is 6.1/F for Catalog Number 8262H002.
- Using Table 3, find the listing for “Open Frame Solenoid with Spade Terminal Coil” in the left column. Then, find 6.1/F under AC coils in the next column. Reading across the column headed “Class H Coil,” you’ll find the prefix “OFST.” To order, specify Catalog Number OFST8262H002, 120/60.

(**Note:** Always include the voltage and frequency.)

Table 3: Solenoid Options for RedHat II Valves

Solenoid Option Required	Watt Rating/ Class of Insulation		Class F Coil Prefix	Class H Coil Prefix
	AC	DC		
General Purpose Solenoid (Standard Valve Construction)	6.1/F	1.4/F	-	- HT HT
	10.1/F	10.6/F		
	16.1/F	11.6/F		
Panel Mount Type 1 General Purpose Solenoid	9.1/F	22.6/F	-	HB
	17.1/F			
	20.1/F			
Type 7 Explosionproof Solenoid	6.1/F	10.6/F	GP	GPHT
	10.1/F	11.6/F		
	9.1/F	22.6/F		
Open Frame Solenoid with Spade Terminal Coil	6.1/F	10.6/F	EF	EFHT
	10.1/F	11.6/F		
	9.1/F	22.6/F		
Panel Mount Solenoid with Spade Terminal Coil	10.1/F	1.4/F	EV	- EVHT EVHB
	15.1/F	11.6/F		
	17.1/F	22.6/F		
Open Frame Solenoid with Screw Terminal Coil	6.1/F	10.6/F	OFSF	OFST
	10.1/F	11.6/F		
	9.1/F	22.6/F		
Panel Mount Solenoid with Screw Terminal Coil	6.1/F	10.6/F	OPSF	OPST
	10.1/F	11.6/F		
	9.1/F	22.6/F		
Open Frame Solenoid with Spade Terminal Coil	6.1/F	10.6/F	OFKF	OFKH
	10.1/F	11.6/F		
	9.1/F	22.6/F		
Panel Mount Solenoid with Spade Terminal Coil	6.1/F	10.6/F	OPKF	OPKH
	10.1/F	11.6/F		
	9.1/F	22.6/F		
Junction Box with Spade Terminal Coil	6.1/F	10.6/F	JSF	JST
	10.1/F	11.6/F		
	9.1/F	22.6/F		
Panel Mount Junction Box with Spade Terminal Coil	6.1/F	10.6/F	JPSF	JPST
	10.1/F	11.6/F		
	9.1/F	22.6/F		
Junction Box with Screw Terminal Coil	6.1/F	10.6/F	JKF	JKH
	10.1/F	11.6/F		
	9.1/F	22.6/F		
Panel Mount Junction Box with Screw Terminal Coil	6.1/F	10.6/F	JPKF	JPKH
	10.1/F	11.6/F		
	9.1/F	22.6/F		
DIN Connection Solenoid	6.1/F	10.6/F	SC	SU
	10.1/F	11.6/F		
	9.1/F	22.6/F		
Panel Mount DIN Connection Solenoid	6.1/F	10.6/F	OPSC	OPSU
	10.1/F	11.6/F		
	9.1/F	22.6/F		
Micro 4 Pin Connector Solenoid	10.1/F	11.6/F	VT	-
	17.1/F	22.6/F	VB	-
Mini 3 Pin Connector Solenoid	10.1/F	11.6/F	ZT	-
	17.1/F	22.6/F	ZB	-

Important Note: One-piece molded epoxy RedHat II solenoids are a unique combination of coil and enclosure. When ordering some RedHat II options, it may be necessary to specify the appropriate catalog number prefixes for both the enclosure and the coil.





<p>Type 1 General Purpose Solenoids with Class F High-Temperature Coils</p>	<p>Enclosures:</p> <ul style="list-style-type: none"> Also meet Type 2 Dripproof, Types 3 and 3S Raintight, and Types 4 and 4X Watertight requirements. Supplied standard with 1/2" threaded conduit hub and built-in strain relief for leads. <p>Coils:</p> <ul style="list-style-type: none"> Insulation system for coil temperatures up to 311°F (155°C). ① For ambient temperature requirement, refer to specific Series and charts in Engineering Information Section. Suitable for 50 and 60 Hz. ② 	<p>Ordering Information: Supplied standard on all RedHat II valves.</p>	
<p>Type 1 General Purpose Solenoids with Class H High-Temperature Coils</p>	<p>Enclosures:</p> <ul style="list-style-type: none"> Same as Class F. <p>Coils:</p> <ul style="list-style-type: none"> Insulation system suitable for coil temperatures up to 356°F (180°C).① For ambient temperature requirements, refer to specific Series and charts in Engineering Information Section. Suitable for 50 and 60 Hz. ② 	<p>Ordering Information: Depending on wattage, use catalog number prefix "HT" or "HB" (e.g., HT8210H002).</p>	
<p>Panel Mount Type 1 General Purpose Solenoids with Class F or H High-Temperature Coils</p>	<p>Enclosures:</p> <ul style="list-style-type: none"> Same as above, but with provision for mounting on a panel (panel not included). <p>Coils:</p> <ul style="list-style-type: none"> Same as Class F or H above. 	<p>Ordering Information: For Class F coil, use catalog number prefix "GP" (e.g., GP8210G2) and specify voltage. For Class H coil, depending on wattage, use catalog number prefix "GPHT" or "GPHB" (e.g., GPHT8210G002) and specify voltage.</p>	
<p>Type 7 (A, B, C, and D) Explosionproof Solenoids with Class F High-Temperature Coils</p>	<p>Enclosures:</p> <ul style="list-style-type: none"> Also meets Types 3 and 3S Raintight, Types 4 and 4X Watertight, Types 6 and 6P Submersible, and Type 9 (E, F, and G) Dust Ignitionproof requirements. Refer to Engineering Information Section. <p>Coils:</p> <ul style="list-style-type: none"> Insulation systems suitable for coil temperatures up to 311°F (155°C). ① For ambient temperature requirements, refer to specific Series charts in Engineering Information Section. Suitable for 50 and 60 Hz. ② 	<p>Approvals: UL listed; CSA certified.</p> <p>Ordering Information: Use catalog number prefix "EF" (e.g., EF8210G002) and specify voltage.</p>	
<p>① UL limitations are 284°F (140°C) for Class F insulation systems and 320°F (160°C) for Class H insulation systems. ② Can be supplied for 50 Hz at a reduced voltage, which is standard throughout the world; i.e., 120/60, 110/50.</p>			



www.valin.com | (855) 737-4716 | AutomationCustomerSupport@valin.com





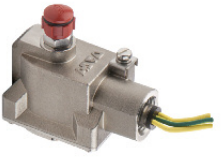
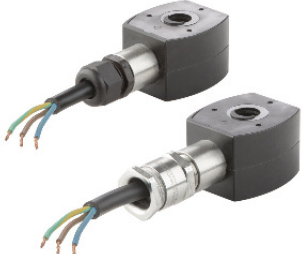
<p>Type 7 (A, B, C, and D) Explosionproof Solenoids with Class H High-Temperature Coils</p>	<p>Enclosure:</p> <ul style="list-style-type: none"> Same as Class F Explosionproof Coil: Insulation system suitable for coil temperatures up to 356°F (180°C). ① For ambient temperature requirements, refer to specific Series and charts in Engineering Information Section. Suitable for 50 and 60 Hz. ② 	<p>Approvals: UL listed; CSA certified. Ordering</p> <p>Information: Depending on wattage, use catalog number prefix "EFHT" or "EFHB" (e.g., EFHT8210G002) and specify voltage.</p>	
<p>Type 7 (A, B, C, and D) Explosionproof Solenoids with Class F or H High-Temperature Coils</p>	<p>Enclosure:</p> <ul style="list-style-type: none"> Same as above, but with 316 stainless steel conduit hub and stainless steel base plate. <p>Coils:</p> <ul style="list-style-type: none"> Same as Class F or H Coil 	<p>ATEX Approved for: II 2G Ex d mb IIC T* Gb under SIRA 14ATEX1192X II 2D Ex mb tb IIIC t* Db IP67 under SIRA 14ATEX1192X</p> <p>IECEx Approved for: Ex d mb IIC T* Gb under IECEx SIR 14.0064X Ex mb tb IIIC T* Db IP67 under IECEx SIR 14.0064X</p> <p>*T-codes and temperature ratings will vary based on coil wattages</p> <p>Ordering Information: For Class F Coil, use catalog number prefix "EV" (e.g., EV8262H220) and specify voltage. For Class H coil, depending on wattage, use catalog number prefix "EVHT" or "EVHB" (e.g., EVHT8327G002) and specify voltage.</p>	
<p>Type 7 (A, B, C, and D) Low Power Solenoids with Class F DC Surge Suppression Coils</p>	<p>Enclosure:</p> <ul style="list-style-type: none"> Same as Class F Explosionproof coil. <p>Coils:</p> <ul style="list-style-type: none"> Built-in surge suppression diodes. Low power – 1.7 Watts. Class F insulation only. 	<p>Ordering Information: For Surge Suppression coils, use catalog number prefix "EFMF" or "EVMF" (e.g., EFMF8314H300), and specify voltage.</p> <p>Note: Surge Suppression coils are only available for Explosionproof Low Power coils.</p>	
<p>Open Frame Solenoids with Class F or H High-Temperature Spade Terminal Coils</p>	<ul style="list-style-type: none"> Valves with Open Frame solenoid construction are intended for use when a solenoid enclosure is not needed; e.g., mounting in a control cabinet. Same as Class F or H above, but with 1/4" spade terminals. Suitable for 50 and 60 Hz. ② 	<p>Ordering Information: For Class F coil, depending on wattage, use catalog number prefix "OFSF" or "OFSP" (e.g., OFSF8210G002) and specify voltage. For Class H coil, depending on wattage, use catalog number prefix "OFSS" or "OFST" (e.g., OFST8210G002) and specify voltage.</p> <p>Note: Spade Terminal Coils are not available above 250 volts AC or DC.</p>	
<p>Panel Mount Solenoids with Class F or H High-Temperature Spade Terminal Coils</p>	<p>Same as above, but with provision for mounting on a panel (panel not included).</p>	<p>Ordering Information: For Class F coil, use catalog number prefix "OPSF" or "OPSP" (e.g., OPSF8210G002) and specify voltage. For Class H coil, depending on wattage, use catalog number prefix "OPSS" or "OPST" (e.g., OPST8210G002) and specify voltage.</p> <p>Note: Spade Terminal Coils are not available above 250 volts AC or DC.</p>	
<p>① UL limitations are 284°F (140°C) for Class F insulation systems and 320°F (160°C) for Class H insulation systems. ② Can be supplied for 50 Hz at a reduced voltage, which is standard throughout the world; i.e., 120/60, 110/50.</p>			

www.valin.com | (855) 737-4716 | AutomationCustomerSupport@valin.com

<p>Open Frame Solenoids with Class F or H High-Temperature Screw Terminal Coils</p>	<ul style="list-style-type: none"> Valves with Open Frame solenoid construction are intended for use when a solenoid enclosure is not needed; e.g., mounting in a control cabinet. ① Same as Class F or H above, but with #8 screws terminals. Suitable for 50 and 60 Hz. ② 	<p>Ordering Information: For Class F coil, depending on wattage, use catalog number prefix "OFKF" or "OFKP" (e.g., OFKF8210G002) and specify voltage. For Class H coil, depending on wattage, use catalog number prefix "OFKH" or "OFKB" (e.g., OFKH8210G002) and specify voltage.</p> <p>Note: Screw Terminal Coils are not available above 250 volts AC or DC.</p> <p>Note: For replacement screw terminal connector kit, order 256104-*</p>	
<p>Panel Mount Solenoids with Class F or H High-Temperature Screw Terminal Coils</p>	<p>Coils:</p> <ul style="list-style-type: none"> Same as above, but with provision for mounting on a panel (panel not included). 	<p>Ordering Information: For Class F coil, depending on wattage, use catalog number prefix "OPKF" or "OPKP" (e.g., OPKF8210G002) and specify voltage. For Class H coil, depending on wattage, use catalog number prefix "OPKH" or "OPKB" (e.g., OPKH8210G002) and specify voltage.</p> <p>Note: Screw Terminal Coils are not available above 250 volts AC or DC.</p> <p>Note: For replacement screw terminal connector kit, order 256104-*</p>	
<p>Junction Box Solenoids with Class F or H High-Temperature Spade or Screw Terminal Coils</p>	<ul style="list-style-type: none"> Enclosures meet Type 1 General Purpose, Type 2 Dripproof, Types 3 and 3S Raintight, and Types 4 and 4X Watertight requirements. Supplied standard with 1/2" threaded conduit hub and grounding provision. Must be ordered with spade or screw terminals. 	<p>Ordering Information: For Class F coil, depending on wattage, use catalog number prefix "JSF," "JSP," "JKF," or "JKP" (e.g., JSF8210G2) and specify voltage. For Class H coil, depending on wattage, use catalog number prefix "JSS," "JST," "JKH," or "JKB" (e.g., JKH8210G002) and specify voltage.</p> <p>Note: Junction Box Options are not available above 250 volts AC or DC.</p>	
<p>Class F General Purpose Only with Quick Disconnect Pin Connectors</p>	<ul style="list-style-type: none"> Available for wattages 10.1, 17.1, 11.6, and 22.6. VT, VB: Micro 4 pin anodized aluminum electrical termination. Electrical connection size: <ul style="list-style-type: none"> - Dual keyway 1/2-20 UNF (AC) - Single keyway M12 x 1 (DC) ZT, ZB: Mini 3 pin epoxy coated zinc electrical termination. Electrical connection size: <ul style="list-style-type: none"> - 7/8-16 UNS-2A (AC & DC) 	<p>Ordering Information: For Class F coil, depending on wattage, use catalog number prefix VT, VB, ZT, or ZB. (e.g. VT8262H232) and specify voltage.</p>	
<p>① UL limitations are 284°F (140°C) for Class F insulation systems and 320°F (160°C) for Class H insulation systems. ② Can be supplied for 50 Hz at a reduced voltage, which is standard throughout the world; i.e., 120/60, 110/50.</p>			



www.valin.com | (855) 737-4716 | AutomationCustomerSupport@valin.com

<p>Class F or H High-Temperature Coils with DIN Connections</p>	<ul style="list-style-type: none"> • Meets ISO 4400/DIN 43650 requirements. • Class F insulation system suitable for coil temperatures up to 311°F (155°C). ① <i>For ambient temperature requirements, refer to specific Series and charts in Engineering Information Section.</i> • Class H insulation system suitable for coil temperatures up to 356°F (180°C). ① <i>For ambient temperature requirements, refer to specific Series and charts in Engineering Information Section.</i> • Enclosure protection with DIN connector equivalent to Types 1 and 4. • Suitable for 50 and 60 Hz. ② 	<p>Ordering Information: For Class F Coil, depending on wattage, use catalog number prefix "SC" or "SD" (e.g., SC8210G002) and specify voltage. For Class H coil, depending on wattage, use catalog number prefix "SU" or "SV" (e.g., SU8210G002) and specify voltage. Note: DIN Connection Coils are not available above 250 volts AC or DC. Note: For replacement DIN terminal connector kit, order 276983 Note: Optional Female DIN connector kits are listed in the "Accessories" section under "Electrical Connectors".</p>	
<p>Junction Box for Class F or H Coils</p>	<p>Zinc coated steel housing with two 7/8" knock-outs for through wiring. UL listed when ordered factory assembled. Also available, without UL listing, as a kit with grounding screw for field installation.</p>	<p>Ordering Information: For factory assembly, add prefix "JB" to Valve Catalog Number. For kit, use number 272140-001*.</p>	
<p>Sub-Miniature Coils for Series 8256, 8356, 8380, 8401, and 8551 Class F High-Temperature Molded Coils with DIN Connection</p>	<p>These sub-miniature coils meet 3 x DIN 46244 requirements.</p> <ul style="list-style-type: none"> • Insulation system suitable for coil temperatures up to 311°F (155°C). ① <i>For ambient temperature requirements, refer to specific Series and charts in Engineering Information Section.</i> • Suitable for 50 and 60 Hz. ② • "Enclosure Protection" with DIN connector equivalent to Types 1 and 4. 	<p>Ordering Information: Use catalog prefix "SC" (e.g., SC8256A001V) and specify voltage. Note: Optional Female DIN connector kits are listed in the "Accessories" section under "Electrical Connectors".</p>	
<p>1/2" Threaded Conduit Hubs for Series 8256, 8356, 8380, 8401, and 8551</p>	<p>These conventional threaded hubs allow connection with 1/2" BX cable. Can be supplied with leaded coil only. Kit includes gasket and attaching screw.</p>	<p>Ordering Information: Order separate Kit No. 224735-001*.</p>	
<p>1/2" NPT threaded Conduit - Dual Approved Stainless Steel Encapsulated Coil - Class F</p>	<p>ATEX/IECEX: Ex d IIB+H2 T4 Gb / Ex tb IIIC T135C Db IP66 - IP67 UL/CSA: Class I, Div. 1, Gp A, B, C, D / CLII, Div. 1, Gp E, F, G Nominal ambient temperature range: - Standard FKM : -10°F to 194°F (-23°C to 90°C) Wattage: 1.8W</p>	<p>Ordering Information: For complete 362, 562 or 364 valve, see corresponding catalog pages for exact part number. - spare part 505434</p>	
<p>Cable Gland</p> <ul style="list-style-type: none"> • Available for wattages: 0.55, 0.7, 0.75, 1.4, 1.7, 1.8, 2.0, 10.1, 11.6 • Available with 72" or 240" cable lengths • UL, CSA approval up to 72" cable length only • ATEX, IECEx approval up to 240" length • Suitable for coil insulation class F and H 	<p>Approvals Stainless steel cable gland</p> <ul style="list-style-type: none"> • UL, CSA: Class I, Division 1, Groups A, B, C, D, Class II, Division 1, Groups E, F, G • ATEX/IECEX: Ex db mb IIC T* Gb, Ex mb tb IIIC T** Db <p>Plastic cable gland</p> <ul style="list-style-type: none"> • CSA only: Class 1, Division 2, Groups A, B, C, D Class II, Division 1 & 2, Groups E, F, G • ATEX/IECEX: Ex mb IIC T* Gb, Ex mb tb IIIC T** Db 	<p>Ordering information: For stainless steel cable gland, use catalog number prefix "CGEVL" Ordering information: For plastic cable gland, use catalog number prefix "PGEVL" For 72" cable length use voltage code "K" For 240" cable length use voltage code "W" Note: Cable gland comes fully assembled to EV coil</p>	
<p>① UL limitations are 284°F (140°C) for Class F insulation systems and 320°F (160°C) for Class H insulation systems. ② Can be supplied for 50 Hz at a reduced voltage, which is standard throughout the world; i.e., 120/60, 110/50.</p>			

Explosion-proof Junction Box

for Hazardous Locations

Optional Features

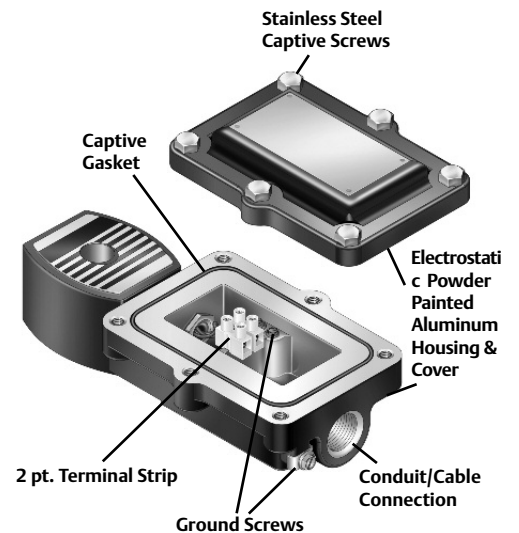
Features

- Junction Box Enclosures for the wiring of ASCO solenoids are Raintight Type 3 and 3S; Watertight Type 4 and 4X, Submersible Type 6 and 6P; Explosion-proof Type 7, Class I, Groups B, C, and D; Dust-Ignition proof Type 9, Class II, Div. 1, Groups E, F and G; Nonincendive Class I, Div. 2 (1.4 watts only)
- Approvals: UL, CSA
- Electrostatic powder paint, stainless steel screws, and molded epoxy coils provide excellent protection in corrosion environments
- Factory pre-wired and assembled to any explosion-proof ASCO RedHat II solenoid valve
- Reduces installation costs by eliminating the need to use a separate explosionproof splice box to terminate the solenoid valve's wiring



Materials of Construction

Housing and Cover	Epoxy painted die-cast aluminum
Gasket	NBR
Cover Screws	Stainless Steel
Coil	Epoxy Molded
Ground Screws	Steel
Terminal Block	Plastic
Lock Nut	Zinc



Electrical

Standard AC: 24, 120, 240, 480 volts, 60 Hz
or (110, 220 volts, 50 Hz)

DC: 6, 12, 24, 120, 240

Note: Valves with JBEF housing maintain wattage and current ratings as shown on individual catalog sheets.

Conduit Sizes 1/2" NPT JBEF Prefix
 3/4" NPT JCEF Prefix

Approvals

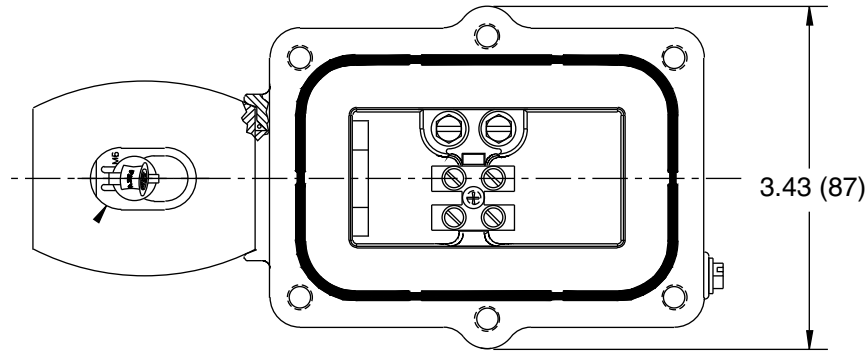
Explosion-proof Junction Box Agency Approvals					
Agency	Min. Temperature				Gas Groups
	JBEF		JCEF		
	°F	°C	°F	°C	
UL	-40	-40	-13	-25	Class I, Groups B, C, & D
CSA	-40	-40	-13	-25	Class I, Groups B, C, & D
	-40	-40	-40	-40	Class I, Groups C & D

Ordering Information

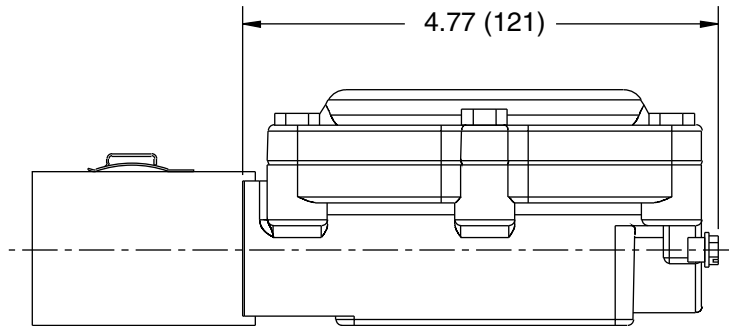
Add prefix corresponding to specific conduit size required to any RedHat II valve catalog numbers & specify the voltage.
Example: JBEF8210G095, 120/60.

www.valin.com | (855) 737-4716 | AutomationCustomerSupport@valin.com

Dimensions: inches (mm)

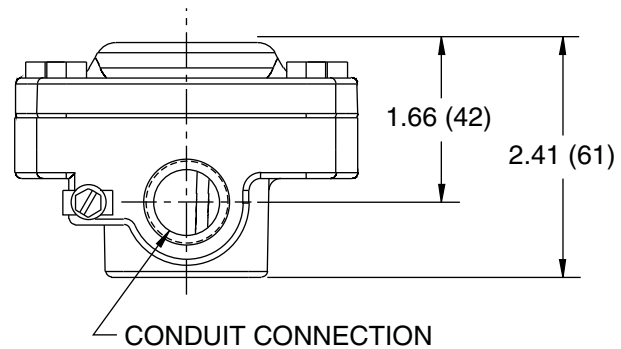


SHOWN WITH SCREWS AND COVER REMOVED



Replacement Coil Kits

Kit Number	Size (watts)	Voltage	Prefix
278000-032	6.1	120/60	JBEF
278000-132	9.1	120/60	
278001-006	10.6	24DC	
278012-032	10.1	120/60	
278012-132	17.1	120/60	
278013-006	11.6	24DC	
278024-032	16.1	120/60	
278024-132	20.1	120/60	
278013-903	1.4	12DC	
278013-902	1.4	24DC	



www.valin.com | (855) 737-4716 | AutomationCustomerSupport@valin.com

Junction Box

Class I, Division 2 - Stainless Steel

Optional
Features

Features

- UL, CSA, ATEX and IECEx approvals
- 316 Stainless Steel enclosure and screws provide excellent protection in corrosive environments
- Factory assembled to a wide range of ASCO RedHat II solenoid valves for Division 2 applications

Materials of Construction

Housing and Cover	316L Stainless Steel
Gasket	NBR
Cover Screws	316 Stainless Steel
Ground Screws	Stainless Steel
Terminal Block	PPS



Enclosure Ratings

Catalog Prefix	Description	Enclosure Type Rating	Enclosure IP Rating
JS2D	316L Stainless Steel Junction Box with 1/2" NPT Conduit	3, 3S	IP65
		4, 4X	

Minimum Ambient Temperature

UL/CSA: -40°F (-40°C)

ATEX/IECEx: -13°F (-25°C)

Ordering Information

For 362, 381 and 562 series, please consult online configurators for part numbering or contact your local ASCO sales office for details.

<http://www.asco.com/en-us/pages/product-configurators.aspx>

Example: 8362A1018A01CF1

For all other valve series, add prefix JS2D to catalog number.

Example: JS2D8316G001

Please consult factory for valid constructions.

Approvals

UL and CSA approved solenoid for:

Class I, Division 2, Groups A, B, C, D;

Class II, Division 2, Groups F, G (250V or less)

ATEX approved for:*

II2G Ex eb mb IIC Tx Gb

II2D Ex mb tb IIIC Txx Db

IECEx approved for:*

Ex eb mb IIC Tx Gb

Ex mb tb IIIC Txx Db

*Note: 200V or less

VALIN[®]

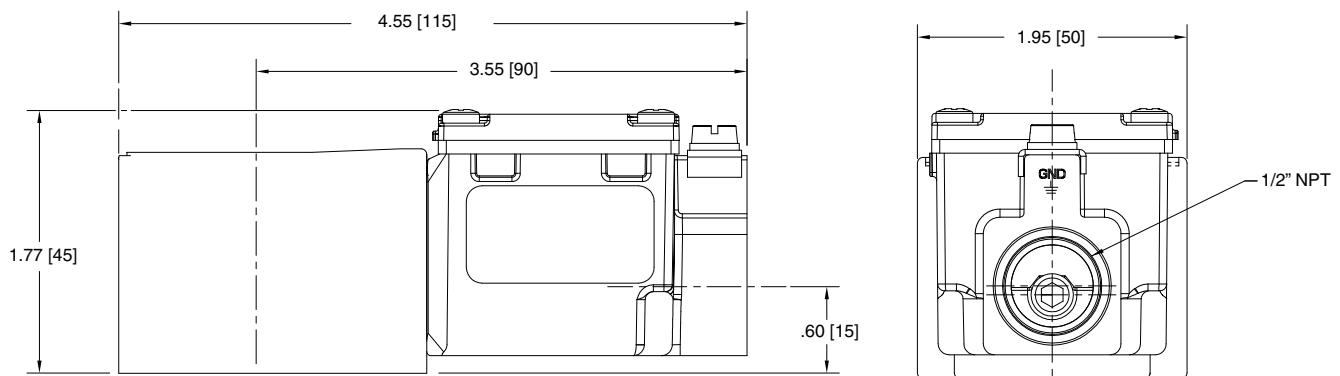
www.valin.com | (855) 737-4716 | AutomationCustomerSupport@valin.com

Electrical

	Watts	Insulation class/power	Approvals	UL Max. Ambient/Fluid °F(°C) ②	UL T Codes	ATEX/IECEX Max. Ambient/Fluid °F(°C) ②	ATEX/IECEX T Codes
AC	10.1	FT	UL, CSA, ATEX, IECEX	125 (52)	T3B/165°C	125 (52)	T4/T135°C
	10.1	HT	UL, CSA, ATEX, IECEX	140 (60)	T3A/180°C	140 (60)	T4/T135°C
	15.1	FT	UL, CSA Only	104 (40)	T3B/165°C	-	-
	15.1 ①	FT	UL, CSA Only	111 (44)	T3B/165°C	-	-
	17.1	FB	UL, CSA Only	122 (50)	T3B/165°C	-	-
	17.1	HB	UL, CSA Only	122 (50)	T3A/180°C	-	-
DC	11.6	FT	UL, CSA, ATEX, IECEX	104 (40)	T3B/165°C	104 (40)	T4/T135°C
	11.6	HT	UL, CSA, ATEX, IECEX	104 (40)	T3A/180°C	104 (40)	T4/T135°C
	11.6 ①	FT	UL, CSA, ATEX, IECEX	131 (55)	T3B/165°C	115 (46)	T4/T135°C
	11.6 ①	HT	UL, CSA, ATEX, IECEX	131 (55)	T3A/180°C	115 (46)	T4/T135°C
	22.6	FB	UL, CSA Only	104 (40)	T3B/165°C	-	-
	22.6	HB	UL, CSA Only	104 (40)	T3A/180°C	-	-
	22.6 ①	HB	UL, CSA Only	111 (44)	T3A/180°C	-	-
	22.6 ①	FB	UL, CSA Only	111 (44)	T3B/165°C	-	-
	1.4	F	UL, CSA, ATEX, IECEX	140 (60)	T6/85°C	140 (60)	T6/T85°C
	1.7	F	UL, CSA, ATEX, IECEX	140 (60)	T6/85°C	140 (60)	T6/T85°C
	1.8	F	UL, CSA, ATEX, IECEX	176 (80)	T5/100°C	165 (74)	T5/T100°C
	0.55	F	UL, CSA, ATEX, IECEX	149 (65)	T6/85°C	149 (65)	T6/T85°C
	0.70	H	UL, CSA, ATEX, IECEX	176 (80)	T6/85°C	176 (80)	T5/T100°C
	0.75	F	UL, CSA, ATEX, IECEX	149 (65)	T6/85°C	149 (65)	T6/T85°C

① For use with H revision valve series (i.e. 8262H001). ② Maximum ambient temperature limited to valve fluid temperature.

Dimensions: inches (mm)



www.valin.com | (855) 737-4716 | AutomationCustomerSupport@valin.com

Optional Construction Features

Standard valve construction materials for standard valves are shown on the Series pages. If handling fluids other than those listed in the Specifications section, you may require special constructions, however. The most frequently used elastomers are listed in Table 4 along with the Valve Series in which they are available. Other considerations for a variety of liquids and gases are included in the Valve Material Selection Guide located in the Engineering Section. A solenoid valve must use certain construction material for proper electrical function. *If you cannot find the specific fluid in the guide, please consult your local ASCO office.*

Certain fluids may also require that we change the solenoid shading coil. The standard valves use a copper shading coil. Aluminum and silver are also available and, due to their different magnetic properties, additional electrical changes may be necessary. *When a change in shading coil material is indicated in the guide, please consult your local ASCO office.*

Table 4: Optional Construction Features for ASCO Solenoid Valves Handling Liquids and Gases other than Air, Inert Gas, Water, and Light Oil. Orders entered using this table MUST state actual fluid and pressure of application.

Pipe Size (in)	Series Number or Valve Type	Valve Construction Number	Special Construction Features ③ ELASTOMERS					
			EPDM	Oxygen Service	PTFE	FKM	CR	
			Use Suffix "E"	Use Suffix "N" ①	Use Suffix "T" ②	Use Suffix "V"	Use Suffix "J"	
Solenoid Operated Valves								
3/8 - 3/4	8030, 8040	1-10, 13	Available	Available	Not Available	Available	Available	
3/8 - 1 1/2	8210	1, 2, 5, 6, 7, 8, 9, 11, 12, 16, 18, 23, 24, 25, 26, 28, 29, 31-51			Not Available	Available		
3/4 - 2 1/2	8210	10, 20, 21, 27, 30	Available		Available			
3/8 - 3	8215	All	Not Available		Available			
All	8260	1, 2, 3	Available		Not Available	Available		
All	8260	4, 5, 6			Not Available	Not Available		
1/8 - 3/8	8262, 8263	1-6	Available		Available	Available		
1/8 & 1/4	8262	1-4			Available	Available		
3/8 & 1/2	8316	1, 2			Not Available	Available		
3/4 & 1	8316	3, 4, 5			Not Available	Available		
All	8320, 8360	All		Available	Available			
Air Operated Valves								
1/4	2 Ports	1, 2, 22		Available	Available	Available	Available	Available
3/8 - 3/4	2 Ports	8				Not Available		
3/8 - 3/4	2 Ports	3, 4	Not Available					
3/8 - 3/4	2 Ports	6, 7, 16, 17	Not Available					
1 & 1 1/4	2 Ports	10, 12, 18, 19	Not Available					
1 1/2	2 Ports	14, 20	Not Available					
1/4	3 Ports	1	Available					
3/8 & 1/2	3 Ports	2	Not Available					
3/4 & 1	3 Ports	3, 4	Not Available					
① For valves requiring special cleaning and/or testing procedures, such as for oxygen, freon, & sanitary service, refer to Table 6. ② Pressure ratings must be reduced by 25%. ③ Unless otherwise indicated in the Series Specification Tables, all soft seating valves are supplied with NBR discs, diaphragms, or gaskets.								

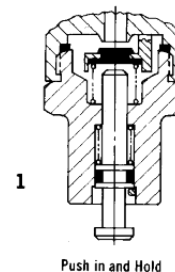
Manual Operators

Manual operators are provided to operate the valve manually when electric power is off. There are basically two types of manual operators: momentary and maintained. Series 8320, 8321, and 8342 can be fitted with either type.

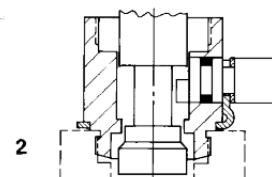
To determine which type is available for your valves, check the Construction Reference Numbers in their Series Specification Tables against the Table below. Schematics of the manual operators and how they are fitted to the valves are shown on the right. *If no manual operator is listed or a different type is required, consult your local ASCO office. Add suffix “MO” or “MS” to the catalog number.*

Table 5: Manual Operators

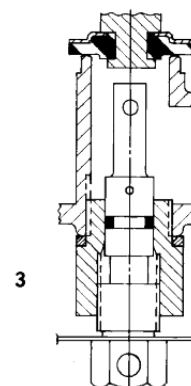
MANUAL OPERATORS ④ FOR 2-WAY SOLENOID VALVES						
Series Number	Pipe Size (in)	Valve Construction Reference Number	Valve Body Materials	Manual Operator Suffix	Type of Manual Operator	Illustration Number
8030	3/8, 1/2	1, 2, 3, 11	Brass	MO	Maintained	5
8030	3/4	9	Brass	MO	Maintained	3
8030	3/8, 1/2	1, 2, 3, 11	Stainless Steel	MO	Maintained	5
8030	3/4	10	Stainless Steel	MO	Maintained	3
8210	3/8, 1/2	1, 2	Stainless Steel	MO	Maintained	5
8210	3/8, 1/2	1, 2	Brass	MO	Maintained	5
8210	3/8 to 2 1/2	3, 5, 6, 8, 9, 11, 12, 16, 18, 20, 21	Brass	MO	Maintained	2
8210	3/4 to 1 1/2	10, 31, 32, 33	Brass	MO	Maintained	3
8210	1	42	Brass	MO	Maintained	4
8210	3/4	7	Stainless Steel	MO	Maintained	2
8221	3/8 to 2 1/2	1, 2, 5, 6, 7, 11, 12	Brass	MO	Maintained	2
8262	1/8	1	Brass	MO	Maintained	3
8262	1/8	1	Stainless Steel	MO	Maintained	3
8262	1/8	8	Brass	MS MO	Maintained Momentary	3 1
8262	1/8	8	Stainless Steel	MS MO	Maintained Momentary	3 1
8262	1/4	2, 4, 6, 16, 17	Brass	MO	Maintained	2
8262	1/4	11, 12, 13	Stainless Steel	MO ⑥	Maintained	2
8263	3/8	3, 5, 7	Brass	MO	Maintained	2
MANUAL OPERATORS ④ FOR 3-WAY SOLENOID VALVES						
8300	All	All	Brass	MO	Maintained	4
8300	All	All	Stainless Steel	MO	Maintained	4
8316	All	All	Brass	MO	Maintained	2
8320	1/8, 1/4	All	Brass/SS	MS ⑤ MO ①	Maintained Momentary	3 1
8321	All	All	Brass	MS MO	Maintained Momentary	3 1
MANUAL OPERATORS ④ FOR 4-WAY SOLENOID VALVES						
8340	1/4	8340A001, A003, A004	Aluminum	MO	Momentary	1
8342	1/4, 3/8	Single Solenoid Only	Brass/SS	MS MO	Maintained Momentary	4 1
8344 ③	All	All	Brass	MO	Maintained	2
8345	1/4	1	Brass	MO	Maintained	5
8401	1/8, 1/4	All	Aluminum	②	Momentary Maintained	- -
MANUAL OPERATORS ARE ALSO AVAILABLE FOR ALL LOW POWER AND INTRINSICALLY SAFE VALVES (MANUAL OR MOMENTARY). USE SUFFIX “MO.”						
① Limited to 100 psi (7 bar) maximum on Normally Open and Universal operation. ② Supplied as standard, no suffix required. ③ Two manual operators required for Dual Solenoid construction. ④ Limited to 250 psi (17 bar) pressure, except where noted otherwise. ⑤ Valves with MS suffix maintain full catalog ratings. ⑥ Manual operator not available for this series with steam application.						



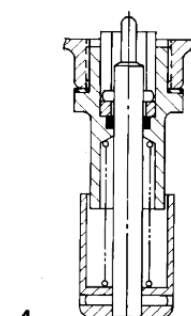
1 Push in and Hold



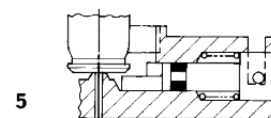
2 Rotary Stem in Bonnet



3 Threaded Stem in Body



4 Push in and Lock



5 Rotary Stem in Body

Metering Devices

Metering Devices are used for obtaining an exact flow from solenoid valves for dispensing or for moving an air operator in a given time period. Valves which can be fitted with metering devices are 8260, 8401, 8402, and 8342. Add suffix “M” to catalog numbers.

Special Cleaning and Testing Procedures:

If special cleaning and testing procedures are required, they must be specified when ordered. *These procedures cannot be done after the valve is built.*

Table 6: ASCO Special Cleaning and Testing Procedures

Fluid	Description of Cleaning or Testing Procedure	Order by Specifying
Freon	All valve parts inspected for oil, grease, metal dust, and other foreign matter and degreased, if necessary. Assembled in clean, dry area and helium mass spectrometer tested for external leakage. Pipe connections sealed with plugs.	Clean and test per ASCO AP-1-005 Procedure.
Oxygen	All valve parts degreased and blacklight inspected for cleanliness. Assembled and tested in clean area using oil-free air or nitrogen. Helium mass spectrometer tested for external leakage. Pipe connections sealed with plugs. Each valve tagged covering certification of tests and put in a sealed bag.	Clean and test per ASCO AP-1-004 Procedure. Add Suffix “N” to catalog Number.
Sanitary distilled water and other clean systems	All valve parts inspected for oil, grease, metal dust, and other foreign matter and degreased, if necessary. Valves assembled in clean area and tested with clean, dry air or nitrogen. Pipe connections sealed with plugs.	Clean and test per ASCO AP-1-008 Procedure.



www.valin.com | (855) 737-4716 | AutomationCustomerSupport@valin.com

Optional Features

www.valin.com | (855) 737-4716 | AutomationCustomerSupport@valin.com

www.valin.com | (855) 737-4716 | AutomationCustomerSupport@valin.com